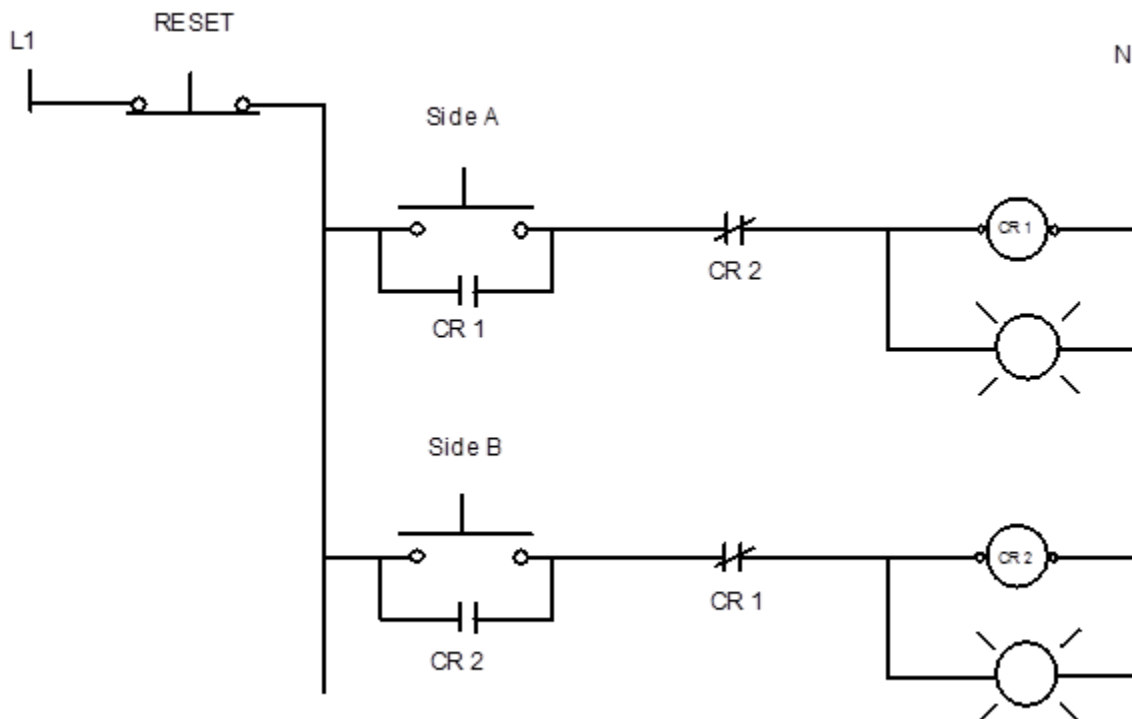


Quiz Master III

This was constructed at Alfred State:



Objectives and Outcomes:

By completing this activity, the students will be able to construct a game board to be used in their school system for fun/educational competition.

The students will be able to follow a basic Relay Ladder Diagram to construct an inter-locking device which is used in a competitive game setup.

The students will have an understanding of basic relay logic.

The student will have a basic concept of wiring practices.